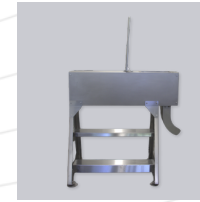


Pneumatic Operation | Fully Interlocked for Safety

MODEL 990 CAN CRUSHER



Lid Stop for
Safety



Stand or Table
Top Operation



Can size: 160 diameter x
260mm high



The Model 990 manually operated pneumatic can crusher has been specifically designed to crush empty cans. The empty cans are hand-fed into the crushing chamber. When the guard is lowered, the can is crushed to approximately 20-25% of its original height.

- Pneumatic Operation – No Electricity Required
- Fully interlocked for safety
- Completely hose-proof design

UTILITIES & SPECS

EQUIPMENT WEIGHT

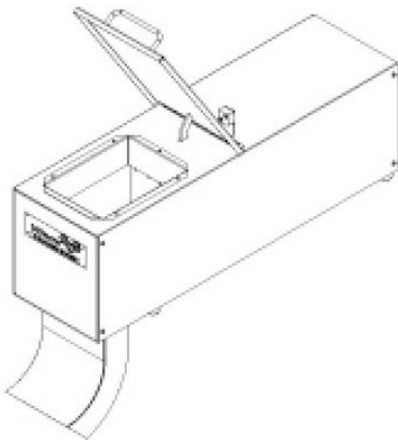
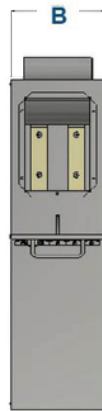
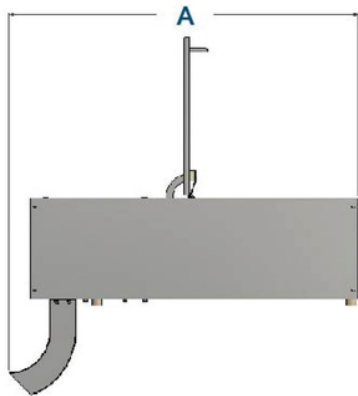
167.55 LBS

SCAN OR
CLICK TO
TALK TO A
DCN EXPERT



[e: mail@dcnorrisona.com](mailto:mail@dcnorrisona.com)
p: (231) 935-1519





DIMENSIONS	HEIGHT W. LID OPEN (A)	WIDTH (B)	LENGTH (C)
MODEL 990	31.6"	8.94"	38.8"

SCAN OR
 CLICK TO
 TALK TO A
 DCN EXPERT



[e: mail@dcnorrisona.com](mailto:mail@dcnorrisona.com)
 p: (231) 935-1519

